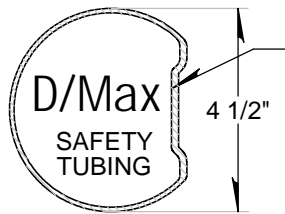


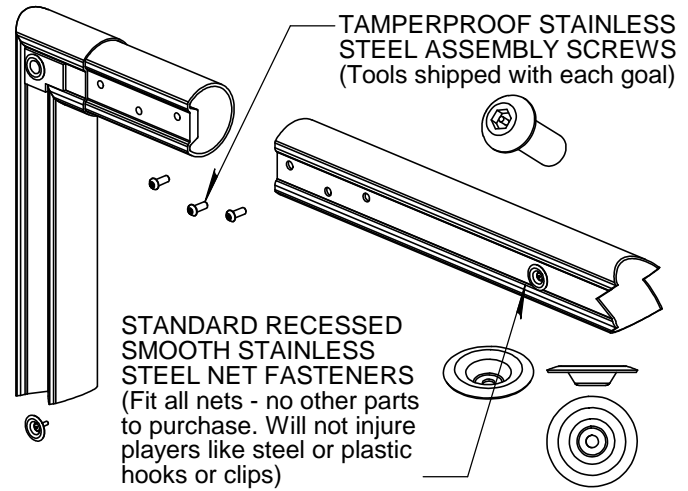
MODEL	W	H	Wht.
P-2400	24' 0"	8' 0"	89 lbs.
P-2100	21' 0"	7' 0"	68 lbs.
P-1800	18' 6"	6' 6"	77 lbs.
P-2400 Pro	24' 0"	8' 0"	119 lbs.

REAR STANCHION (PRO GOAL ONLY)

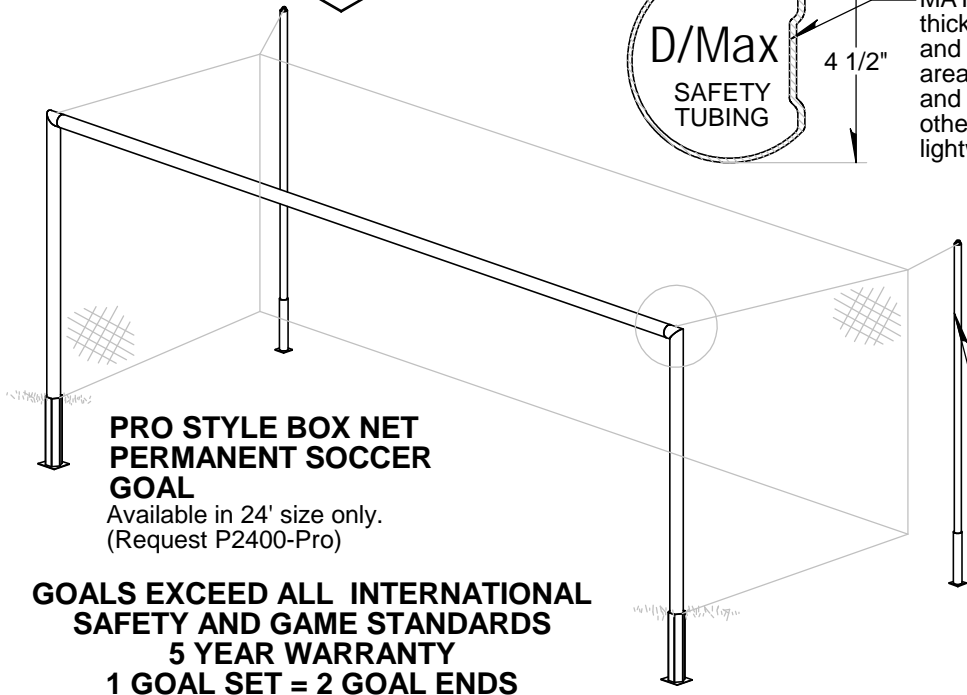
UPRIGHTS & UPPER CROSS BARS
.100 to .156" Variable Wall Thickness
6061 T-6 Alloy Aluminum D-Tube (Rounded profile for maximum safety)



MATERIALS are thicker in welded and high stress areas for strength and thinner in other areas for lightweight.



BRIGHT ALUMINUM FINISH IS STANDARD. WHITE POWDER COAT PAINT AND NETS ARE OPTIONAL. GOALS ARE SHIPPED KNOCKED DOWN IN THREE PARTS AND CAN BE EASILY ASSEMBLED BY 2 PEOPLE IN MINUTES. AFTER GROUND SLEEVES ARE INSTALLED CAN BE REMOVED IN OFF SEASON.



GOALS EXCEED ALL INTERNATIONAL SAFETY AND GAME STANDARDS
5 YEAR WARRANTY
1 GOAL SET = 2 GOAL ENDS

SCOREMASTER

1-888-726-7627 www.scoremaster.com

P2400 European and Pro Style Permanent Soccer Goals