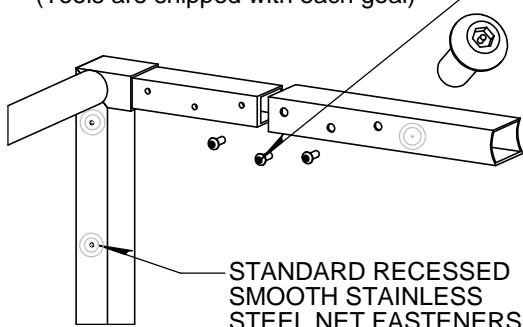
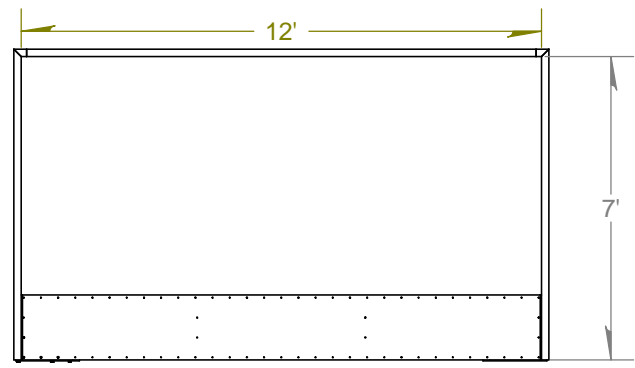


TAMPER PROOF STAINLESS STEEL ASSEMBLY SCREWS  
(Tools are shipped with each goal)

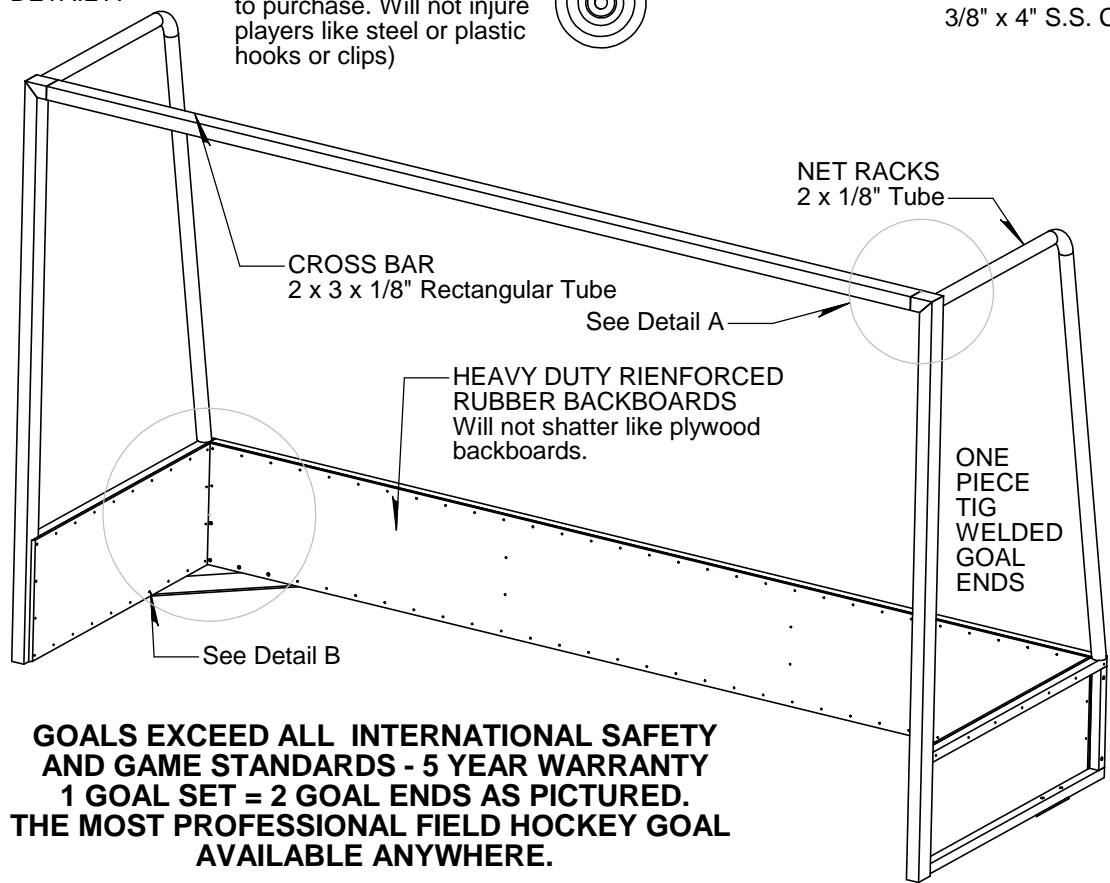
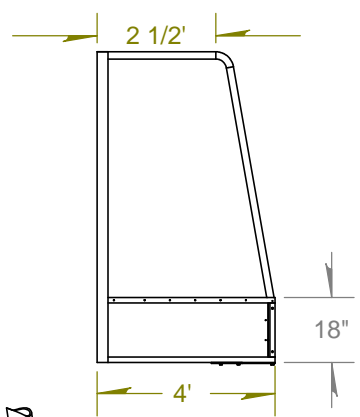


DETAIL A

STANDARD RECESSED SMOOTH STAINLESS STEEL NET FASTENERS  
(Fit all nets - no other parts to purchase. Will not injure players like steel or plastic hooks or clips)



OVERALL DIMENSIONS



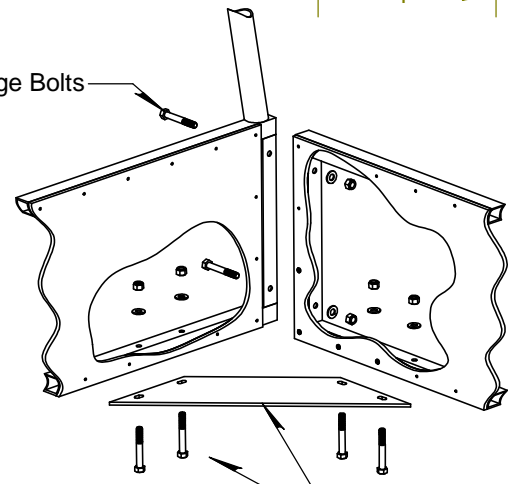
CROSS BAR  
2 x 3 x 1/8" Rectangular Tube

NET RACKS  
2 x 1/8" Tube

HEAVY DUTY RIENFORCED RUBBER BACKBOARDS  
Will not shatter like plywood backboards.

ONE PIECE TIG WELDED GOAL ENDS

3/8" x 4" S.S. Carriage Bolts



3/8 x 3" S.S. Carriage Bolts

GUSSET PLATE  
Strengthens goal so it will last and last.

DETAIL B

**GOALS EXCEED ALL INTERNATIONAL SAFETY AND GAME STANDARDS - 5 YEAR WARRANTY**  
**1 GOAL SET = 2 GOAL ENDS AS PICTURED.**  
**THE MOST PROFESSIONAL FIELD HOCKEY GOAL AVAILABLE ANYWHERE.**

BRIGHT ALUMINUM FINISH IS STANDARD. WHITE POWDER COAT PAINT AND NETS ARE OPTIONAL. GOALS ARE SHIPPED KNOCKED DOWN IN FOUR PARTS AND CAN BE EASILY ASSEMBLED BY 2 PERSONS IN MINUTES. EASY TO MOVE BY 2 PEOPLE.

# SCOREMASTER

1-888-726-7627 [www.scoremaster.com](http://www.scoremaster.com)

*FH-1200 Field Hockey Goal*