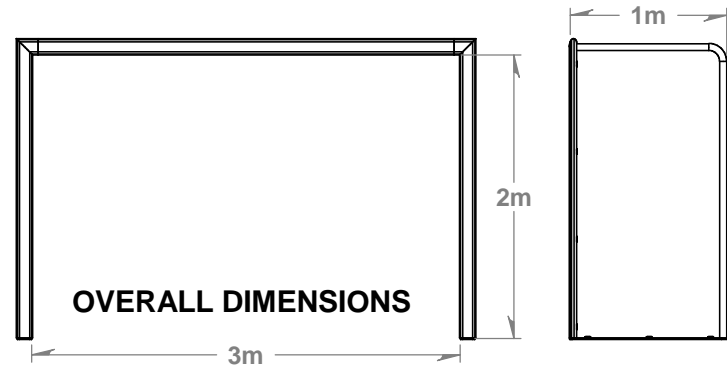
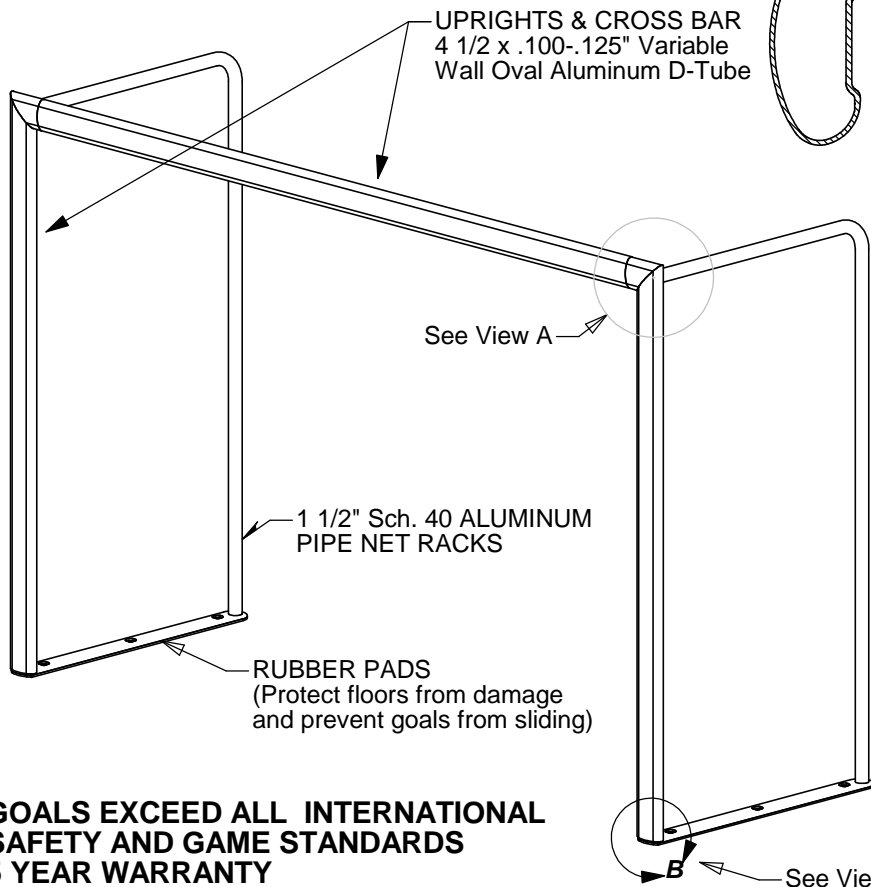


**VIEW A**

TAMPER PROOF STAINLESS STEEL ASSEMBLY SCREWS  
(Tools are shipped with each goal)



**OVERALL DIMENSIONS**



UPRIGHTS & CROSS BAR  
4 1/2 x .100-.125" Variable  
Wall Oval Aluminum D-Tube



**D/Max**

SAFETY TUBING  
is thicker in high stress  
areas for strength and  
thinner in other areas  
for low weight

See View A

1 1/2" Sch. 40 ALUMINUM  
PIPE NET RACKS

RUBBER PADS  
(Protect floors from damage  
and prevent goals from sliding)

**GOALS EXCEED ALL INTERNATIONAL  
SAFETY AND GAME STANDARDS  
5 YEAR WARRANTY**

See View B

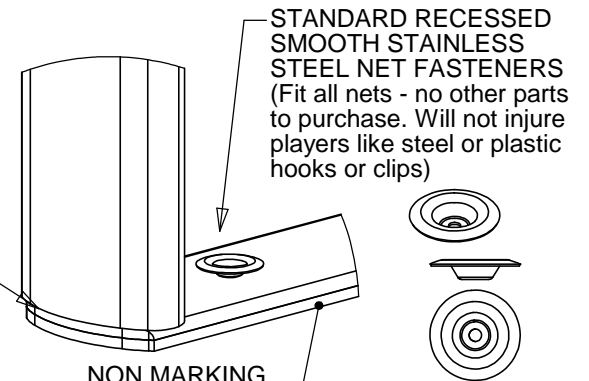
**ENGINEERED MATERIALS  
DESIGNED BY  
SCOREMASTER  
SPECIFICALLY FOR  
GOAL CONSTRUCTION**

3/8" ALUMINUM  
FLAT BAR BASE

**VIEW B**

ONE PIECE  
TIG WELDED  
GOAL ENDS

THIS IS A  
STRONG  
AND STABLE  
PROFESSIONAL  
QUALITY GOAL



STANDARD RECESSED  
SMOOTH STAINLESS  
STEEL NET FASTENERS  
(Fit all nets - no other parts  
to purchase. Will not injure  
players like steel or plastic  
hooks or clips)

NON MARKING  
RUBBER BASE

BRIGHT ALUMINUM FINISH IS STANDARD.  
WHITE POWDER COAT PAINT IS OPTIONAL.  
GOALS ARE SHIPPED KNOCKED DOWN AND  
CAN BE EASILY HANDLED AND ASSEMBLED  
BY 2 PEOPLE IN MINUTES.

**SCOREMASTER**

1-888-726-7627 [www.scoremaster.com](http://www.scoremaster.com)

**F-1100 Futsal Goal**