



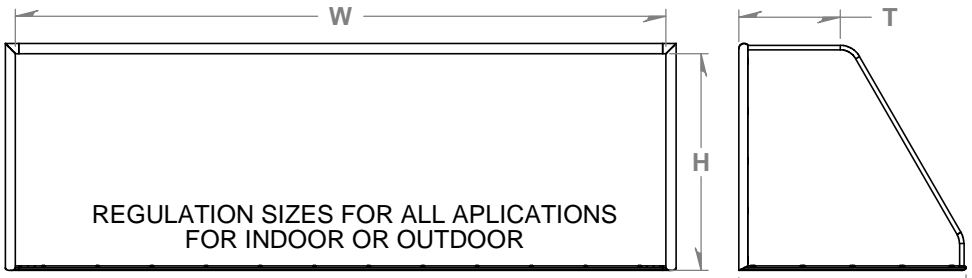
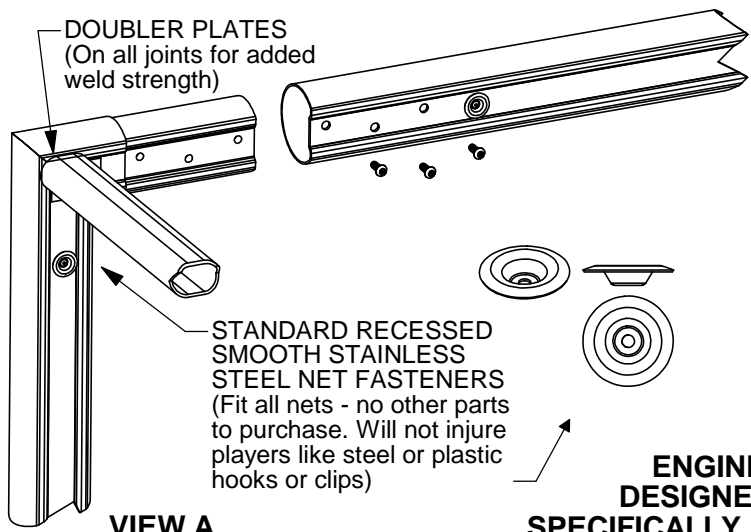
# Scoremaster PDF Catalogue

Goal Specifications  
Assembly Instructions  
Design and Safety Information

November 24, 2000

# Table of Contents

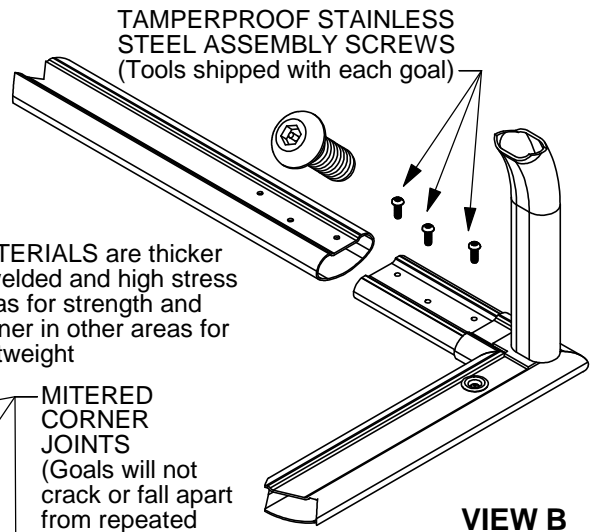
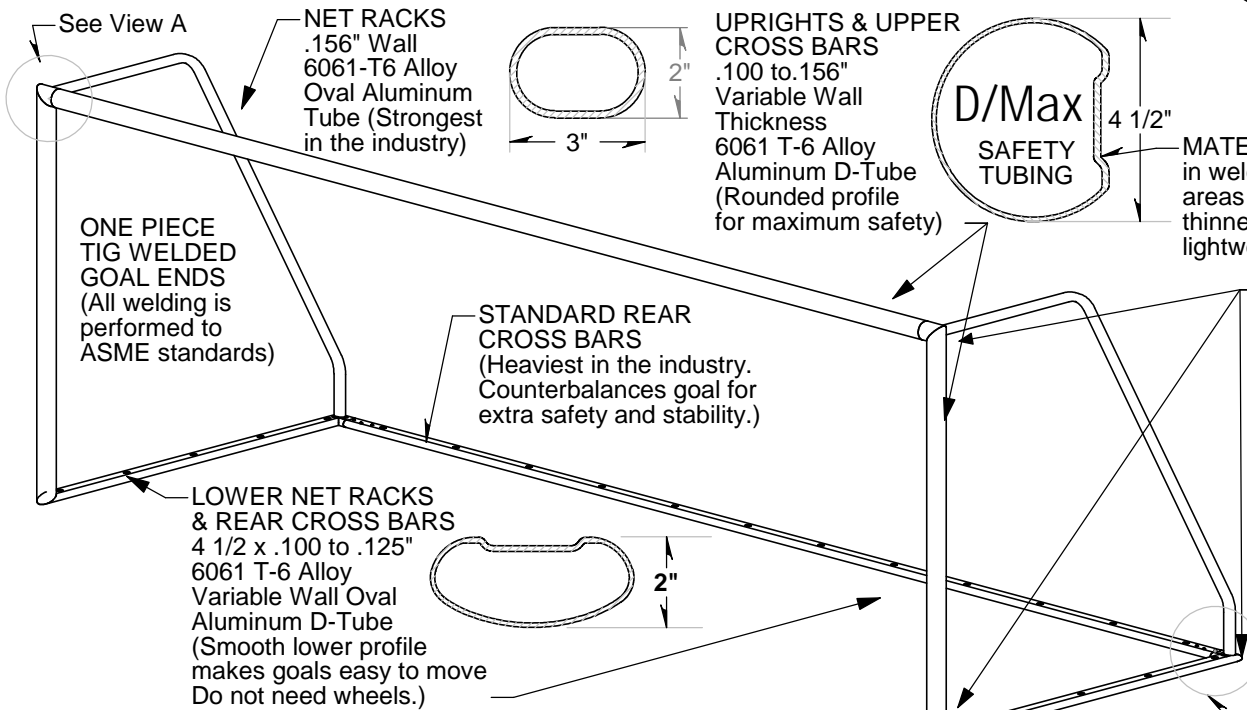
DM-1200 to 2400 Movable Soccer Goals	Page 1
DM-600 and 1000 Movable Soccer Goals	Page 2
P-1800 to 2400 Permanent Soccer Goals	Page 3
P-2400 C Combination Soccer Goals	Page 4
R-1000 Rugby Goals	Page 5
FB-1000 Football Goals	Page 6
L-1000 Lacrosse Goals	Page 7
F-1100 Futsal Goals	Page 8
FH-1200 Field Hockey Goals	Page 9
Security and Safety	Page 10
Maintenance & Handling	Page 11
Assembly Instructions	Page 12
Safety & Design	Page 14



MODEL	W	H	D	T	Wht.
DM-2400	24' 0"	8' 0"	8' 4"	4'	180 lbs.
DM-2100	21' 0"	7' 0"	7' 4"	4'	167 lbs.
DM-1800	18' 6"	6' 6"	7' 0"	3'	147 lbs.
DM-1600	16' 5"	6' 7"	7' 0"	3'	141 lbs.
DM1200	12' 0"	6' 6"	7' 0"	3'	127 lbs.

**DEEP NET RACKS ADD STABILITY.** (Goals won't tip over - Ground anchors supplied as standard equipment.)

**ENGINEERED MATERIALS  
DESIGNED BY SCOREMASTER  
SPECIFICALLY FOR GOAL CONSTRUCTION**



BRIGHT ALUMINUM FINISH IS STANDARD WHITE POWDER COAT PAINT AND NETS ARE OPTIONAL. GOALS ARE SHIPPED KNOCKED DOWN IN FOUR PARTS AND CAN BE EASILY ASSEMBLED BY 2 PEOPLE IN MINUTES.

**GOALS EXCEED ALL INTERNATIONAL SAFETY AND GAME STANDARDS - 5 YEAR WARRANTY**  
**1 GOAL SET = 2 GOAL ENDS.**

ROUNDED EDGES AND SMOOTH CORNERS

# SCOREMASTER

1-888-726-7627 www.scoremaster.com

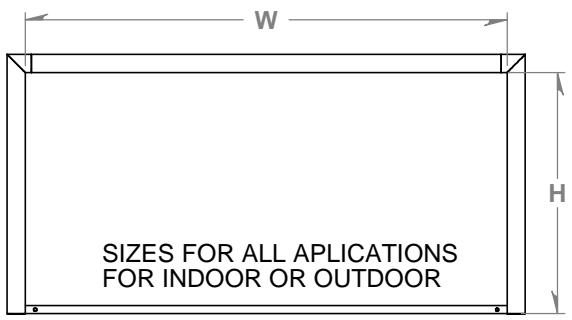
*DM1200-2400 Series  
Permanent or Movable Soccer Goals*

**DOUBLER PLATE**  
(Reinforces weld joint for extra strength)

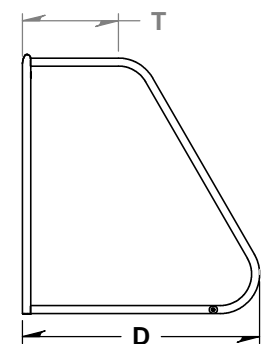
**VIEW A**

**TAMPER PROOF STAINLESS STEEL ASSEMBLY SCREWS**  
(Tools are shipped with each goal)

**STANDARD RECESSED SMOOTH STAINLESS STEEL NET FASTENERS**  
(Fit all nets - no other parts to purchase. Will not injure players like steel or plastic hooks or clips)



SIZES FOR ALL APPLICATIONS FOR INDOOR OR OUTDOOR



MODEL	W	H	D	T	Wht.
DM-600	6' 0"	4' 0"	4' 0"	2'	55 lbs.
DM-1000	10' 0"	5' 0"	5' 0"	2'	72 lbs.

**DEEP NET RACKS ADD STABILITY** (Goals won't tip over - Ground anchors supplied as standard equip.)

See View A

**ONE PIECE TIG WELDED GOAL ENDS**  
(All welding is performed to ASME standards)

**ENGINEERED MATERIALS DESIGNED BY SCOREMASTER SPECIFICALLY FOR GOAL CONSTRUCTION**

**D/Max**

**SAFETY TUBING** is thicker in high stress areas for strength and thinner in other areas for low weight

1/2" STAINLESS STEEL WASHER

1/2" NYLOCK NUT

1/2 x 3 1/2" STAINLESS STEEL BOLT

3/8 x 6" EYE BOLT

1/2" ID x 2" OD FORMED WASHER

3/8" GALVANIZED NUT

**VIEW B**

BRIGHT ALUMINUM FINISH IS STANDARD WHITE POWDER COAT PAINT AND NETS ARE OPTIONAL. GOALS ARE SHIPPED KNOCKED DOWN IN FOUR PARTS AND CAN BE EASILY ASSEMBLED BY 1 PERSON IN MINUTES. EASY TO MOVE BY 1 PERSON.

**UPRIGHTS & UPPER CROSS BAR**  
4 1/2 x .100-.125" Variable Wall Oval Aluminum D-Tube

**NET RACKS & REAR CROSS BAR**  
2 x 3 x .156" Oval Aluminum Tube

See View B

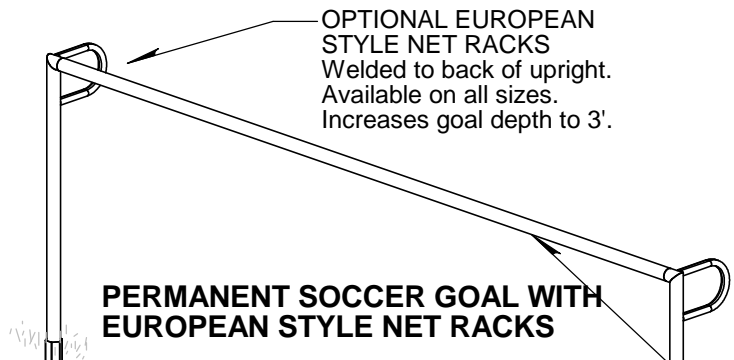
ROUNDED EDGES AND SMOOTH CORNERS

**GOALS EXCEED ALL INTERNATIONAL SAFETY AND GAME STANDARDS - 5 YEAR WARRANTY**  
1 GOAL SET = 2 GOAL ENDS AS PICTURED.

**SCOREMASTER**

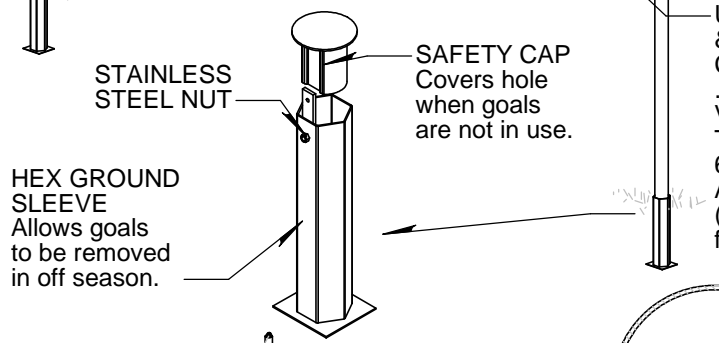
1-888-726-7627 www.scoremaster.com

*DM600 - 1000 Soccer Goals*



**OPTIONAL EUROPEAN STYLE NET RACKS**  
Welded to back of upright.  
Available on all sizes.  
Increases goal depth to 3'.

**PERMANENT SOCCER GOAL WITH EUROPEAN STYLE NET RACKS**

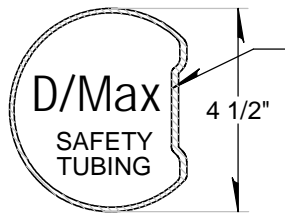


**STAINLESS STEEL NUT**

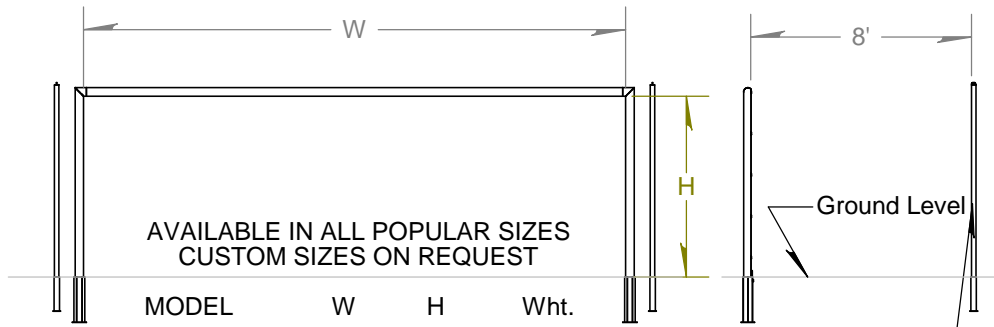
**SAFETY CAP**  
Covers hole when goals are not in use.

**HEX GROUND SLEEVE**  
Allows goals to be removed in off season.

**UPRIGHTS & UPPER CROSS BARS**  
.100 to .156" Variable Wall Thickness  
6061 T-6 Alloy Aluminum D-Tube (Rounded profile for maximum safety)



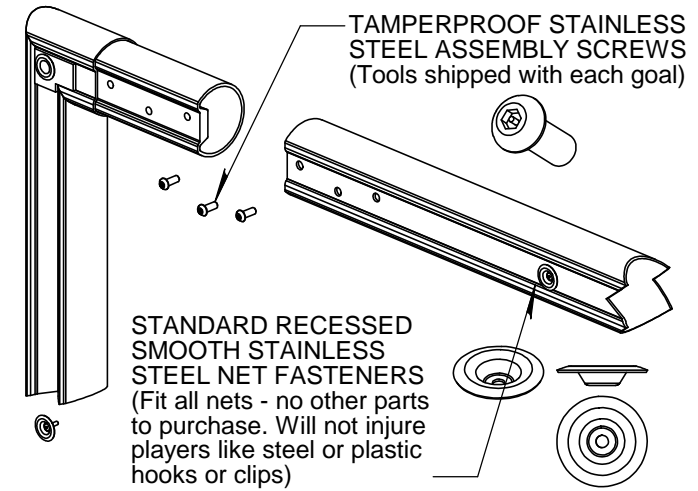
**MATERIALS** are thicker in welded and high stress areas for strength and thinner in other areas for lightweight.



AVAILABLE IN ALL POPULAR SIZES  
CUSTOM SIZES ON REQUEST

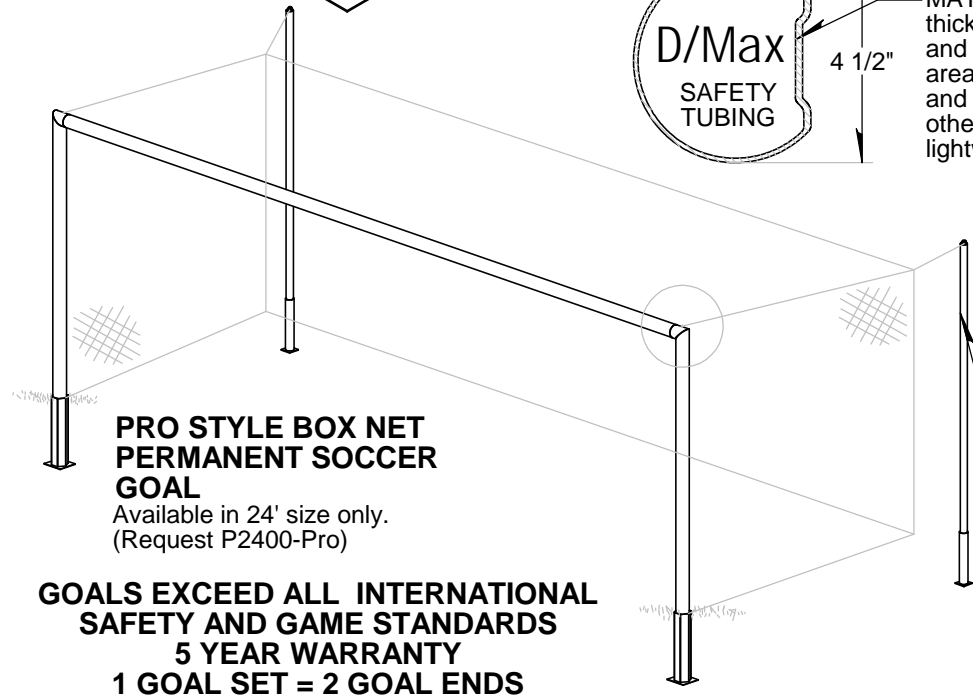
MODEL	W	H	Wht.
P-2400	24' 0"	8' 0"	89 lbs.
P-2100	21' 0"	7' 0"	68 lbs.
P-1800	18' 6"	6' 6"	77 lbs.
P-2400 Pro	24' 0"	8' 0"	119 lbs.

**REAR STANCHION (PRO GOAL ONLY)**



**TAMPERPROOF STAINLESS STEEL ASSEMBLY SCREWS**  
(Tools shipped with each goal)

**STANDARD RECESSED SMOOTH STAINLESS STEEL NET FASTENERS**  
(Fit all nets - no other parts to purchase. Will not injure players like steel or plastic hooks or clips)



**PRO STYLE BOX NET PERMANENT SOCCER GOAL**

Available in 24' size only.  
(Request P2400-Pro)

**PROFESSIONAL STYLE NET STAYS (P-2400 Pro ONLY)**

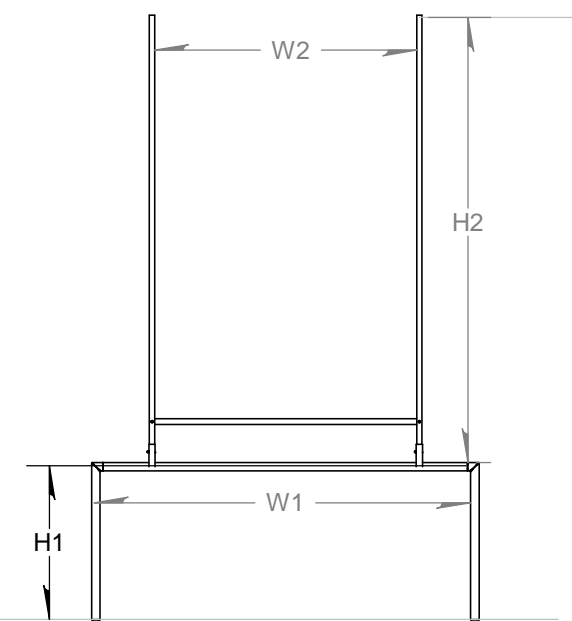
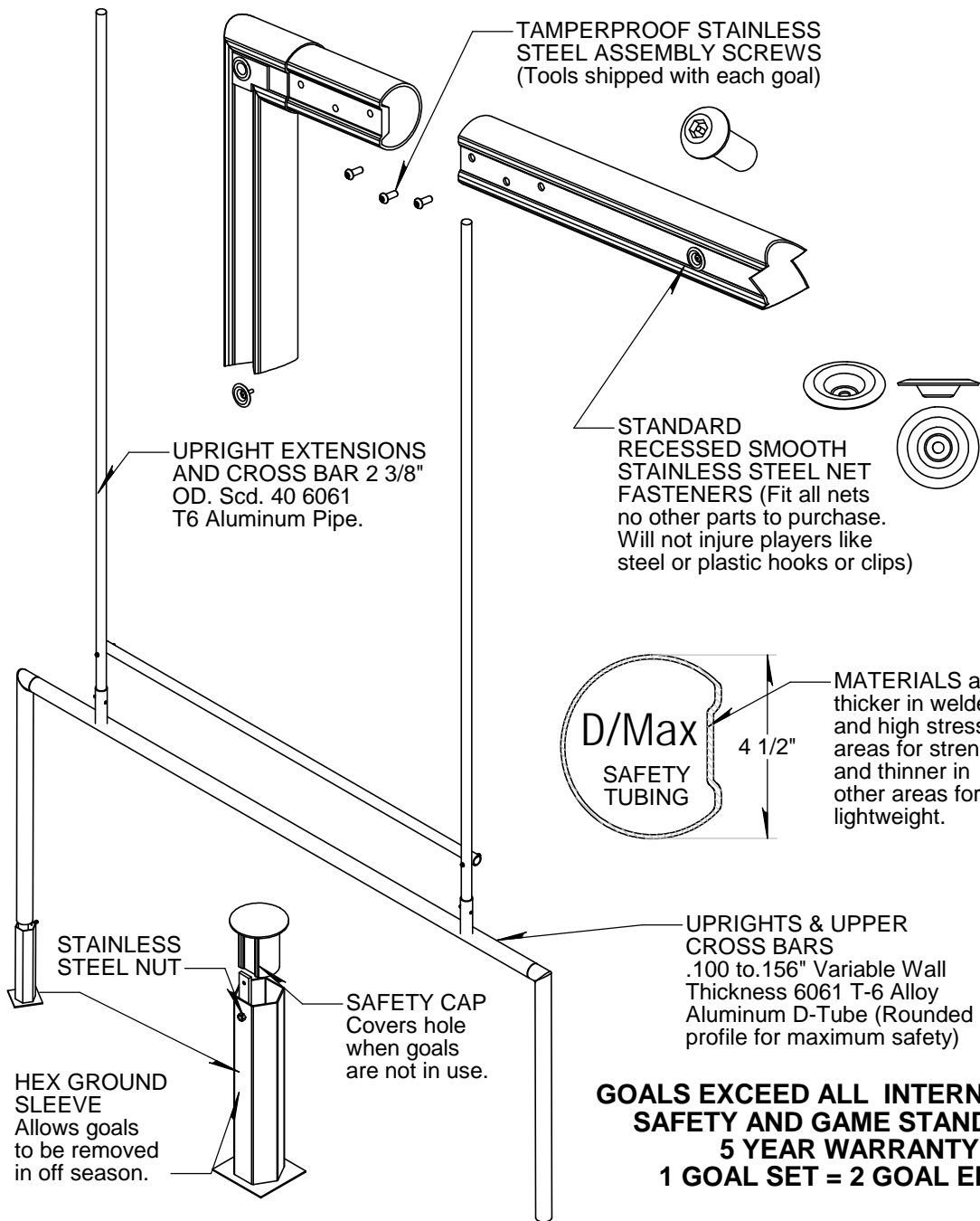
**GOALS EXCEED ALL INTERNATIONAL SAFETY AND GAME STANDARDS**  
**5 YEAR WARRANTY**  
**1 GOAL SET = 2 GOAL ENDS**

**BRIGHT ALUMINUM FINISH IS STANDARD. WHITE POWDER COAT PAINT AND NETS ARE OPTIONAL. GOALS ARE SHIPPED KNOCKED DOWN IN THREE PARTS AND CAN BE EASILY ASSEMBLED BY 2 PEOPLE IN MINUTES. AFTER GROUND SLEEVES ARE INSTALLED CAN BE REMOVED IN OFF SEASON.**

**SCOREMASTER**

1-888-726-7627 www.scoremaster.com

*P2400 European and Pro Style Permanent Soccer Goals*



MODEL	W1	W2	H1	H2	Wht.
P-2400C CDN	24' 0"	18' 6"	8' 0"	10' 0"	150 lbs.
P-2400C USA	24' 0"	23' 4"	8' 0"	10' 0"	150 lbs.

CDN model includes uprights for Rugby/Canadian football.  
USA model includes uprights for American football.

BRIGHT ALUMINUM FINISH IS STANDARD. WHITE POWDER COAT PAINT AND NETS ARE OPTIONAL. GOALS ARE SHIPPED KNOCKED DOWN IN THREE PARTS PLUS BOLT ON UPRIGHTS AND CROSS BARS. CAN BE EASILY ASSEMBLED BY 2 PEOPLE IN MINUTES. AFTER GROUND SLEEVES ARE INSTALLED GOALS CAN BE REMOVED IN OFF SEASON.

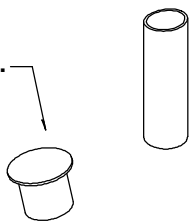
**GOALS EXCEED ALL INTERNATIONAL SAFETY AND GAME STANDARDS**  
**5 YEAR WARRANTY**  
**1 GOAL SET = 2 GOAL ENDS.**

# SCOREMASTER

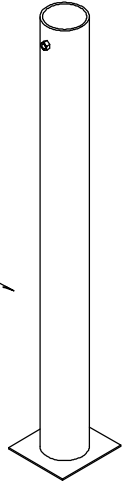
1-888-726-7627 www.scoremaster.com

*P2400 Combination Football or Rugby Permanent Soccer Goals*

**SAFETY CAPS**  
covers hole  
when goals  
are not installed  
in ground sleeves.



**GROUND SLEEVE**  
3 1/2" Scd. 40 6061  
T-6 Aluminum Pipe  
4 1/4" OD



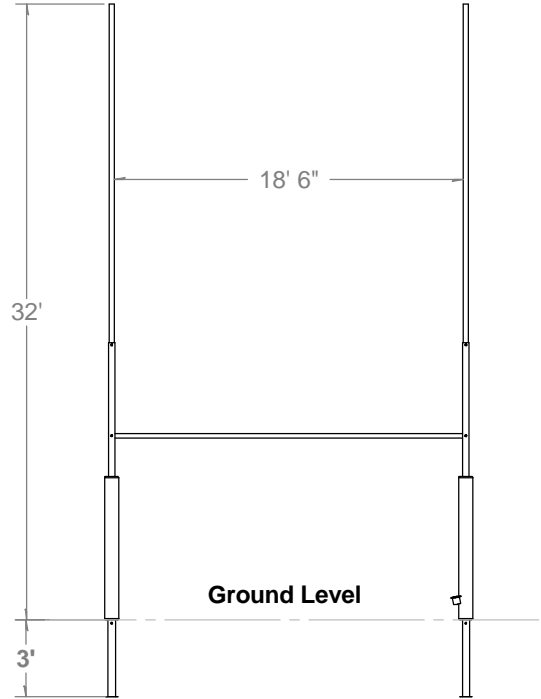
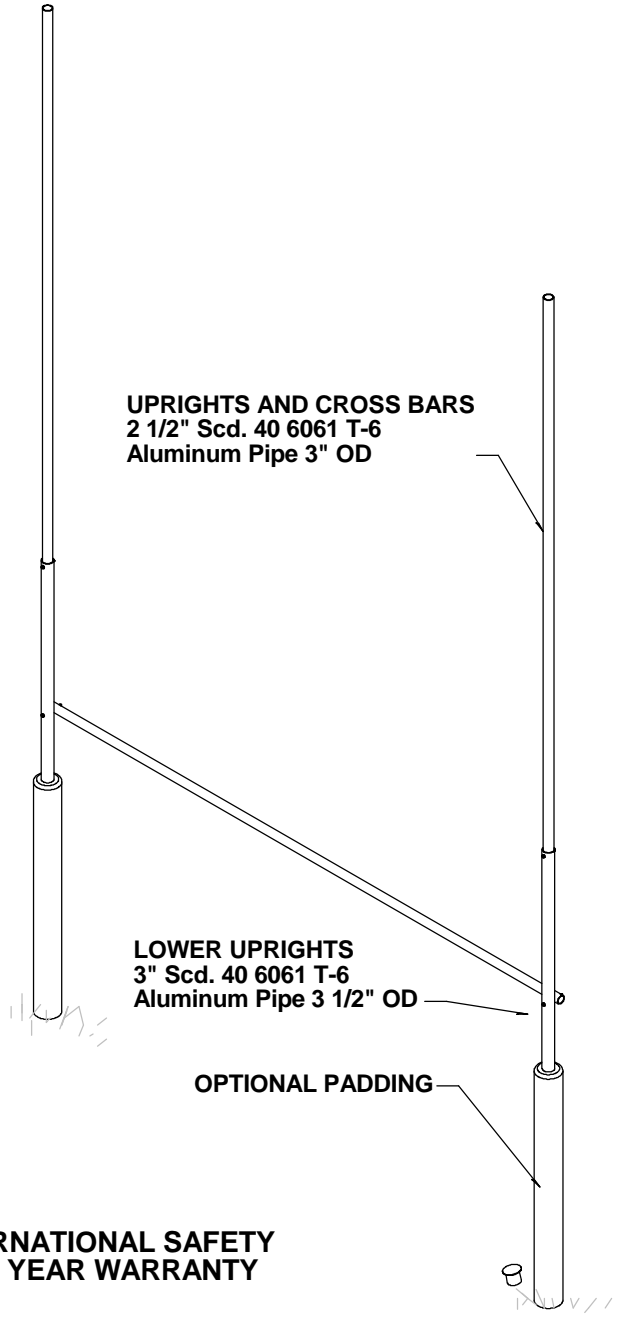
**GROUND SLEEVE ASSEMBLY**

**GOALS EXCEED ALL INTERNATIONAL SAFETY  
AND GAME STANDARDS - 5 YEAR WARRANTY**

**UPRIGHTS AND CROSS BARS**  
2 1/2" Scd. 40 6061 T-6  
Aluminum Pipe 3" OD

**LOWER UPRIGHTS**  
3" Scd. 40 6061 T-6  
Aluminum Pipe 3 1/2" OD

**OPTIONAL PADDING**



**DIMENSIONS SHOWN ARE STANDARD  
CUSTOM SIZES and PAINT SCHEMES  
ARE AVAILABLE ON REQUEST.**

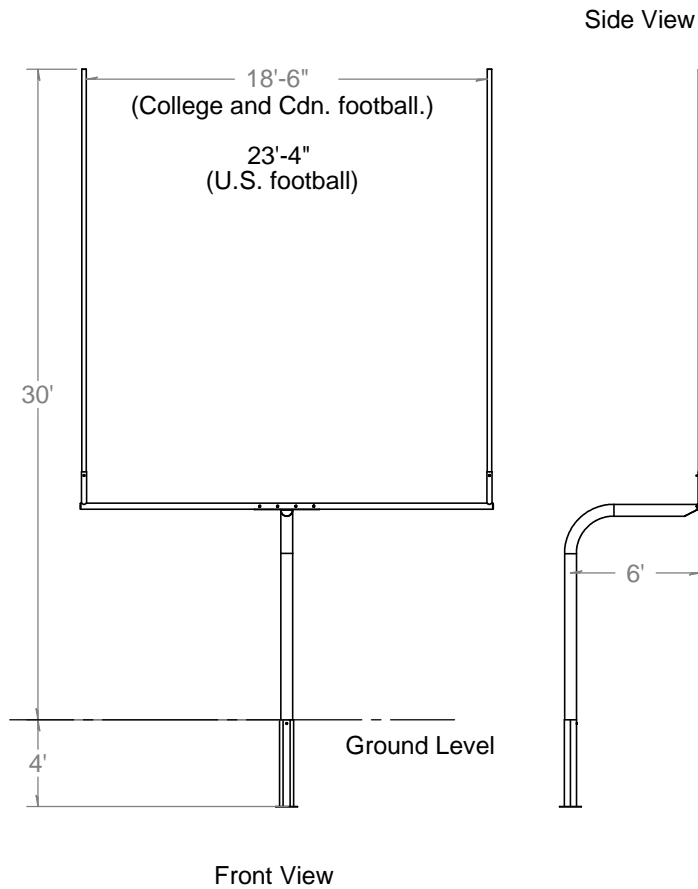
**BRIGHT ALUMINUM FINISH IS STANDARD.  
WHITE POWDER COAT PAINT IS OPTIONAL.  
GOALS ARE SHIPPED KNOCKED DOWN AND  
CAN BE EASILY ASSEMBLED BY 2 PEOPLE.**

# SCOREMASTER

1-888-726-7627 [www.scoremaster.com](http://www.scoremaster.com)

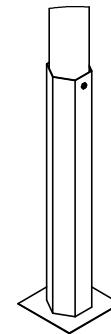
## R-1000 Rugby Goals

BRIGHT ALUMINUM FINISH IS STANDARD.  
 WHITE POWDER COAT PAINT AND NETS ARE  
 OPTIONAL. GOALS ARE SHIPPED KNOCKED  
 DOWN IN FOUR BASIC PARTS AND CAN BE  
 EASILY ASSEMBLED.

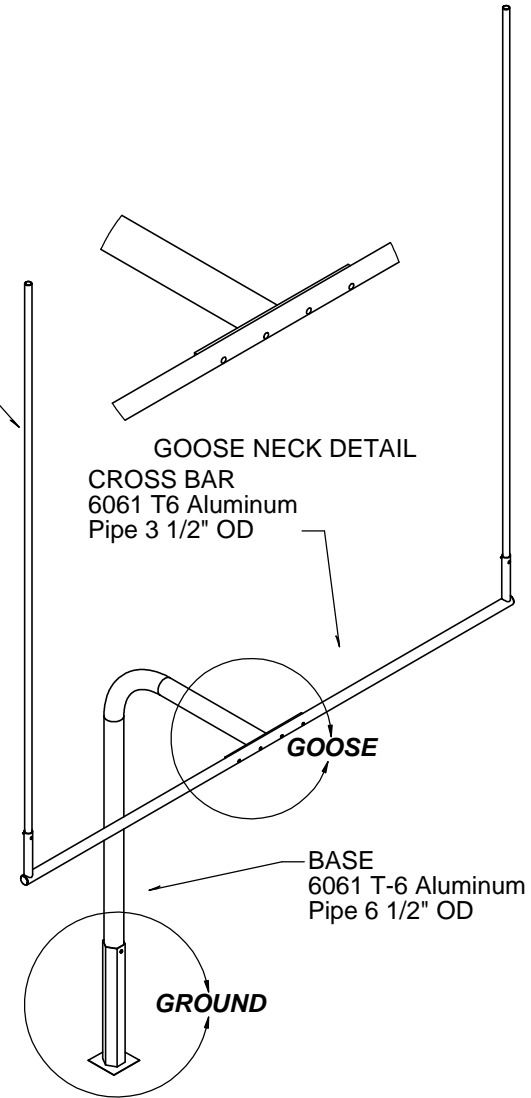


UPRIGHTS  
 6061- T6  
 Aluminum Pipe  
 2 1/2" OD

GOOSE NECK DETAIL  
 CROSS BAR  
 6061 T6 Aluminum  
 Pipe 3 1/2" OD



GROUND  
 SLEEVE  
 DETAIL



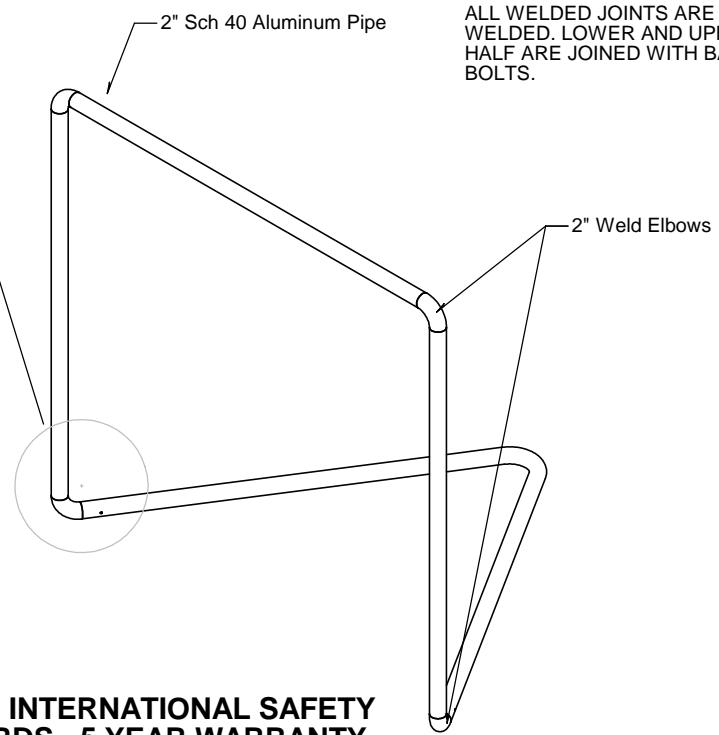
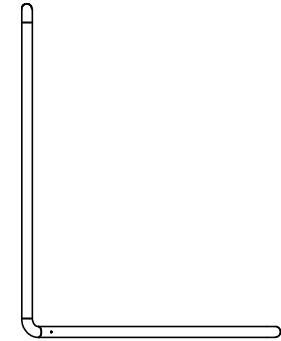
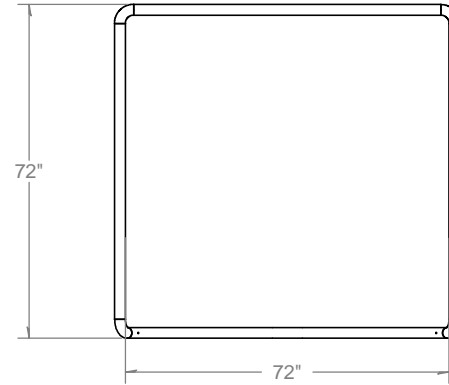
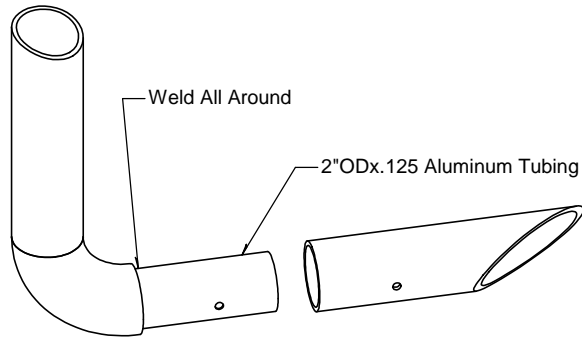
**GOALS EXCEED ALL INTERNATIONAL SAFETY  
 AND GAME STANDARDS - 5 YEAR WARRANTY  
 1 GOAL SET = 2 GOAL ENDS.**

# SCOREMASTER

1-888-726-7627 [www.scoremaster.com](http://www.scoremaster.com)

*FB-1000 Football Goals*

THE INFORMATION CONTAINED IN THIS DRAWING IS THE SOLE PROPERTY OF SCOREMASTER. ANY REPRODUCTION IN PART OR WHOLE WITHOUT THE WRITTEN PERMISSION OF SCOREMASTER IS PROHIBITED.

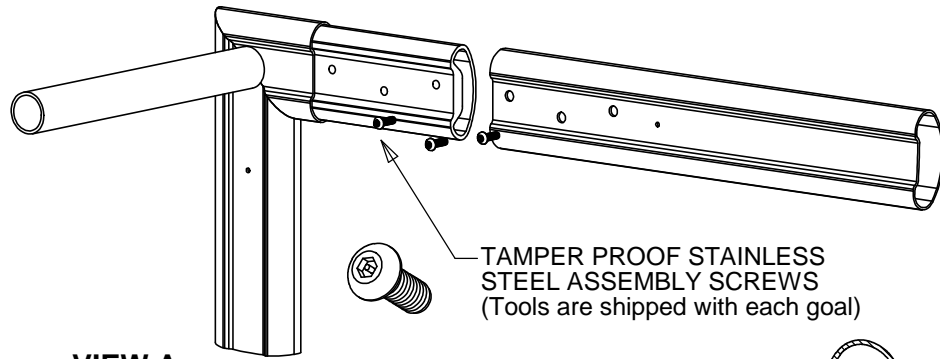


ALL WELDED JOINTS ARE TIG WELDED. LOWER AND UPPER HALF ARE JOINED WITH BARREL BOLTS.

**BRIGHT ALUMINUM FINISH IS STANDARD. WHITE POWDER COAT PAINT AND NETS ARE OPTIONAL. GOALS ARE SHIPPED KNOCKED DOWN IN 2 PARTS AND CAN BE EASILY ASSEMBLED BY 1 PERSON IN MINUTES. EASY TO MOVE WITH 1 PERSON.**

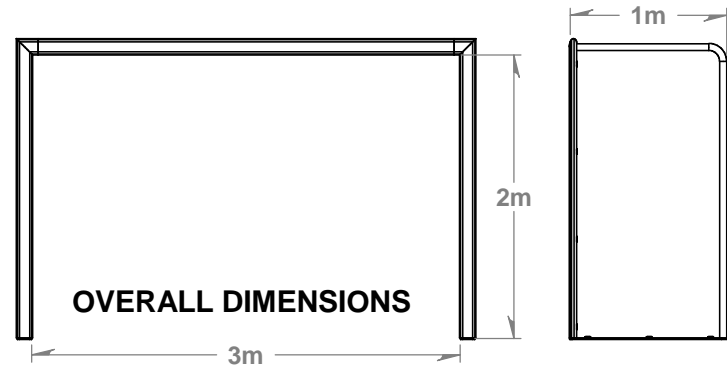
**GOALS EXCEED ALL INTERNATIONAL SAFETY AND GAME STANDARDS - 5 YEAR WARRANTY  
1 GOAL SET = 2 GOAL ENDS AS PICTURED.**

**SCOREMASTER**  
1-888-726-7627 [www.scoremaster.com](http://www.scoremaster.com)  
*L-1000 Lacrosse Goals*

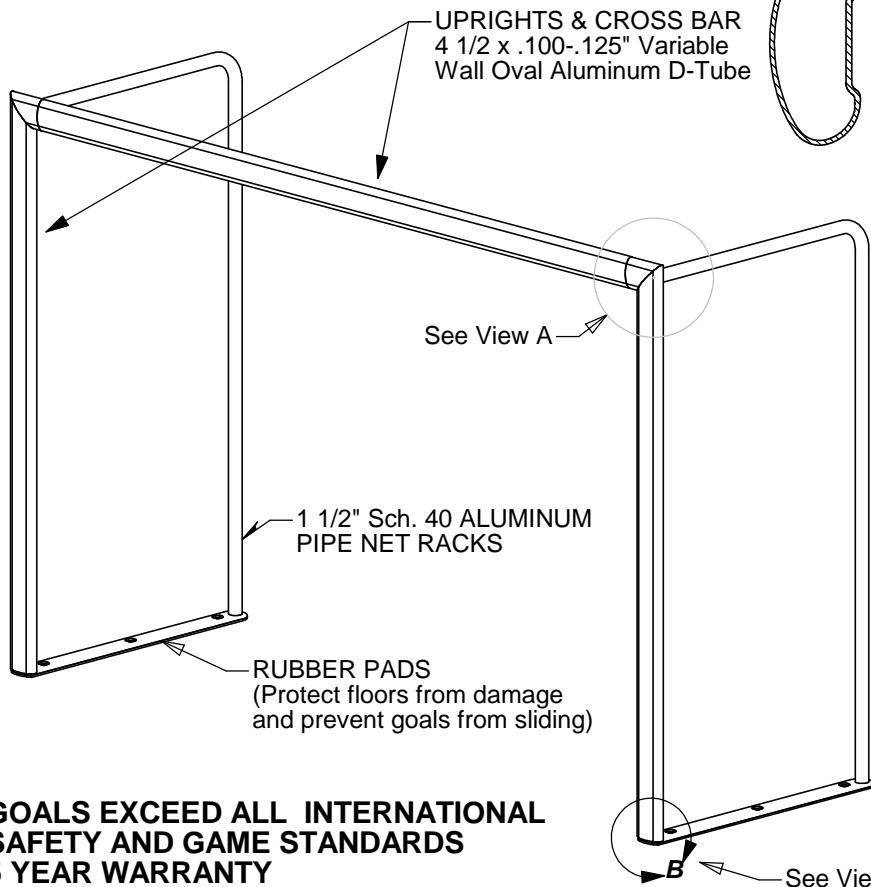


TAMPER PROOF STAINLESS STEEL ASSEMBLY SCREWS  
(Tools are shipped with each goal)

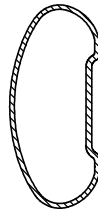
VIEW A



OVERALL DIMENSIONS



**GOALS EXCEED ALL INTERNATIONAL SAFETY AND GAME STANDARDS  
5 YEAR WARRANTY**



D/Max

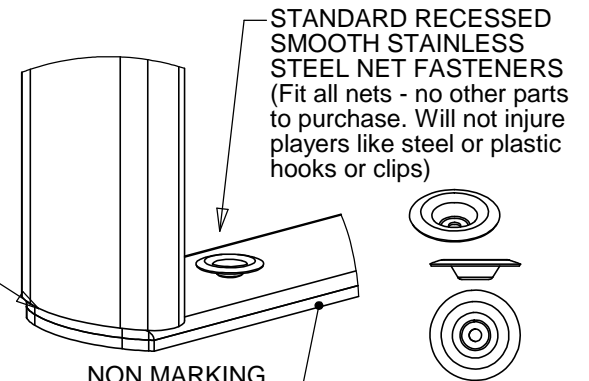
SAFETY TUBING is thicker in high stress areas for strength and thinner in other areas for low weight

**ENGINEERED MATERIALS  
DESIGNED BY  
SCOREMASTER  
SPECIFICALLY FOR  
GOAL CONSTRUCTION**

3/8" ALUMINUM FLAT BAR BASE

ONE PIECE TIG WELDED GOAL ENDS

THIS IS A STRONG AND STABLE PROFESSIONAL QUALITY GOAL



NON MARKING RUBBER BASE

VIEW B

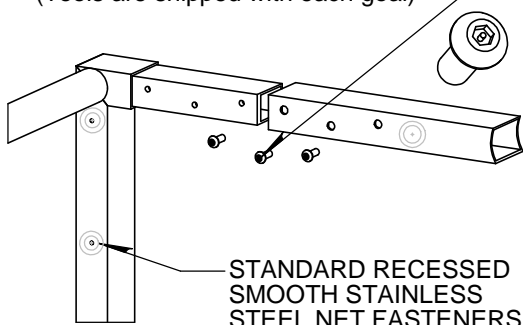
BRIGHT ALUMINUM FINISH IS STANDARD. WHITE POWDER COAT PAINT IS OPTIONAL. GOALS ARE SHIPPED KNOCKED DOWN AND CAN BE EASILY HANDLED AND ASSEMBLED BY 2 PEOPLE IN MINUTES.

**SCOREMASTER**

1-888-726-7627 [www.scoremaster.com](http://www.scoremaster.com)

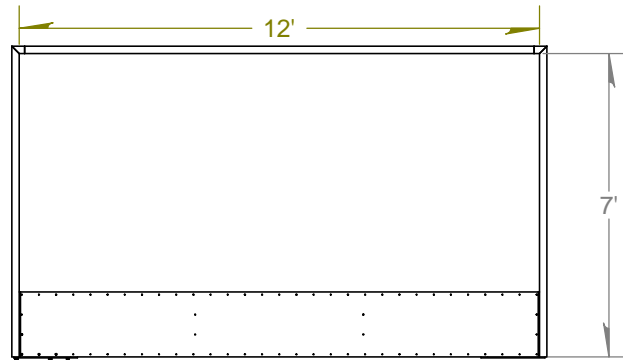
**F-1100 Futsal Goal**

TAMPER PROOF STAINLESS STEEL ASSEMBLY SCREWS  
(Tools are shipped with each goal)

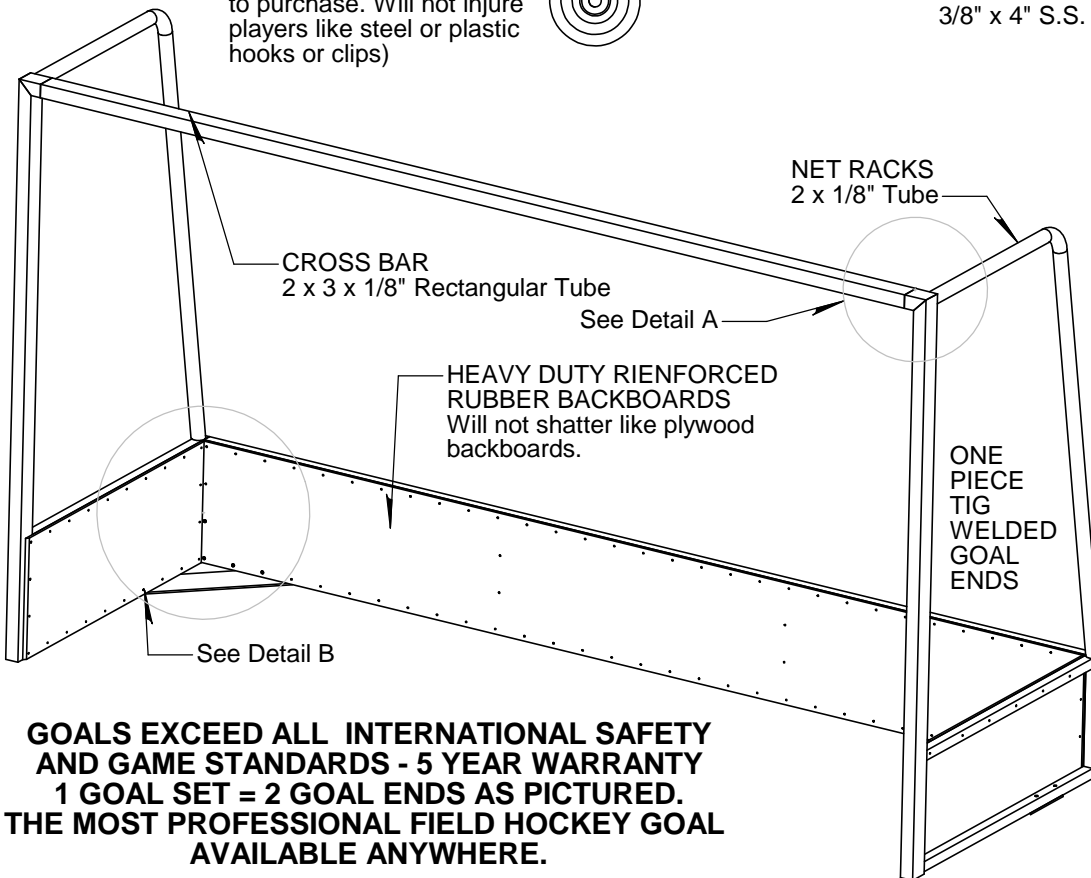
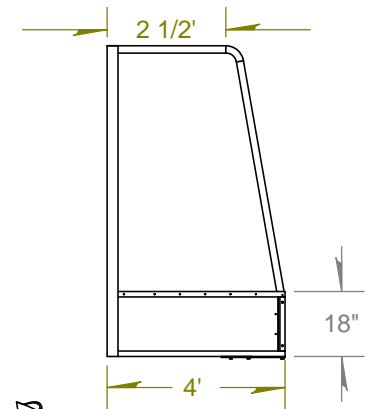


DETAIL A

STANDARD RECESSED SMOOTH STAINLESS STEEL NET FASTENERS  
(Fit all nets - no other parts to purchase. Will not injure players like steel or plastic hooks or clips)



OVERALL DIMENSIONS



CROSS BAR  
2 x 3 x 1/8" Rectangular Tube

See Detail A

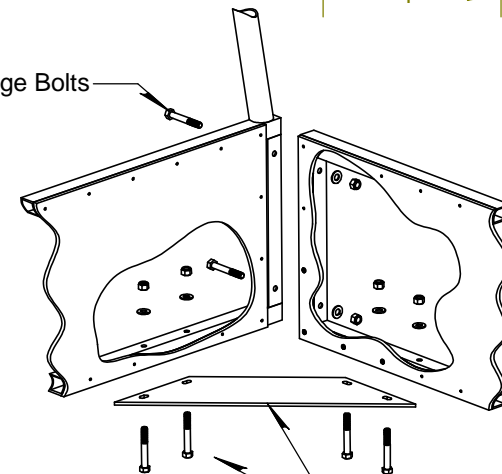
HEAVY DUTY RIENFORCED RUBBER BACKBOARDS  
Will not shatter like plywood backboards.

NET RACKS  
2 x 1/8" Tube

3/8" x 4" S.S. Carriage Bolts

ONE PIECE TIG WELDED GOAL ENDS

See Detail B



3/8 x 3" S.S. Carriage Bolts

GUSSET PLATE  
Strengthens goal so it will last and last.

DETAIL B

BRIGHT ALUMINUM FINISH IS STANDARD. WHITE POWDER COAT PAINT AND NETS ARE OPTIONAL. GOALS ARE SHIPPED KNOCKED DOWN IN FOUR PARTS AND CAN BE EASILY ASSEMBLED BY 2 PERSONS IN MINUTES. EASY TO MOVE BY 2 PEOPLE.

**GOALS EXCEED ALL INTERNATIONAL SAFETY AND GAME STANDARDS - 5 YEAR WARRANTY**  
**1 GOAL SET = 2 GOAL ENDS AS PICTURED.**  
**THE MOST PROFESSIONAL FIELD HOCKEY GOAL AVAILABLE ANYWHERE.**

# SCOREMASTER

1-888-726-7627 [www.scoremaster.com](http://www.scoremaster.com)

*FH-1200 Field Hockey Goal*

Doing  
it Right...



Steel security cables provided with SCOREMASTER goals can be used in conjunction with concrete footings, steel augers or steel spikes permanently embedded in the field. This is the best solution to safety and security concerns. Use a system that suits your application and field conditions.



## Anchoring

Soft field conditions or permanent installations require permanent anchors as prescribed above. Z/Spike anchors provide a quick and reliable method of tethering goals in firm ground conditions.

1. Insert Z/Spike into ground beside the intersection of the rear cross bar and the net rack as shown in the photograph.
2. Make sure that the anchor is firmly planted in the ground by pulling up and forward on the ring.
3. Install the safety strap around the net rack and through the eye of the Z/Spike.



Security Cables can be used with permanent anchors to secure goals



Z/Spikes are fast, easy to use, temporary method of securing goals.



# SCOREMASTER

## Security & Safety

### Safety Rules



- Never allow anyone to climb, swing or hang from goal frames or netting.
- Remove nets when goals are not in use.
- Moveable Goals should be anchored at all times using either goal spikes or permanent ground sleeves.
- Goals that are secured using only ground spikes should be locked or chained together when not in use. Goals can also be chained to nearby fence or any permanent structures in a well lit area.
- Use net hardware that does not have sharp edges or protrusions which could injure players. Check all connecting hardware before every use. Replace damaged or missing fasteners immediately.
- Fully disassemble goals for seasonal storage.
- Always use extreme caution when moving goals (see detailed section on moving soccer goals). Always instruct players on handling safety and the potential dangers associated with moveable soccer goals.
- Use moveable soccer goals only on level (flat) fields.
- Ensure safety labels are clearly visible.
- Always use adequately trained personnel when moving goals or installing nets.
- Only use goals that are correctly engineered from a reputable source.

**ALL PERSONS USING GOALS MUST BE FAMILIAR WITH AND FOLLOW THESE RULES AT ALL TIMES.**

# SCOREMASTER

## Maintenance & Handling

### Maintenance

Bare aluminum goals can be cleaned with any commercial aluminum cleaner or with readily available automotive aluminum wheel cleaner and a garden hose. To remove scratches use a medium grade Scotch Brite Pad. **DO NOT USE STEEL WOOL.**

Painted goals have a powder coat finish, which can be maintained in the same manner you would care for your automobile's finish. Protect it from scratches from sharp objects and wash with any car wash product and wax if desired. SoftScub bathroom cleaner works great to remove scuffs and stains.

**Inspect goals for loose fasteners or damage and report any problems at once to your administrators.**

### Handling

1. Never tow, push or pick up the goals with any vehicle, tractor, mower or construction equipment. Damage caused by moving goals with equipment will not be covered under warranty.
2. Never drop the goals on each other or allow them to crash together. This could dent the material or cause weld fractures.
3. Always exercise extreme caution when moving goals and allow adequate manpower for goals of varied sizes and weights.
4. The base materials of the Scoremaster goals are designed to slide over most surfaces without snagging the surface. Goals should be moved by pushing on the uprights. Two persons are generally required for this task, although one person can move a goal a sufficient distance for field maintenance.

### Trouble Shooting

**Problem** - Cross bars will not slide over goal end stubs.

**Cause** - Galled or dented tubing.

**Solution** - Sand or file burrs or galling from the cross bar and the goal end stub. Clean and lubricate after sanding.

**Care should always be taken not to damage goal intersections while being assembled and disassembled.**

**Problem** - Goal ends will not slide over goal end stubs.

**Cause** - Misalignment of goal ends to cross bars.

**Solution** - Make sure crossbars are parallel and 90 degrees to the goal ends. Start both front and rear crossbars at the same time and slowly advance the stubs together. Use a stepladder on larger goals to make work easier.

**Problem** - Bolts are difficult to tighten.

**Cause** - Threads are either dry or cross threaded.

**Solution** - Back the bolt out of the hole, lubricate with light oil or an anti seizing compound and carefully reinstall. Run a 3/8" NC tap through the hole if necessary.

**Care should be taken not to cross thread or over tighten assembly bolts.**



### Net Installation.

1. Stand on a ladder or step stool and attach the upper corner of the net to the upper corner of the cross bar and work your way to the opposite corner. Tuck the net perimeter rope or the net twine under the net fasteners.
2. Tighten the net line (see above) between the top bend on the net racks to keep the net from sagging in the center.
3. Attach the edge of the net to the goal uprights and rear crossbar.

# SCOREMASTER

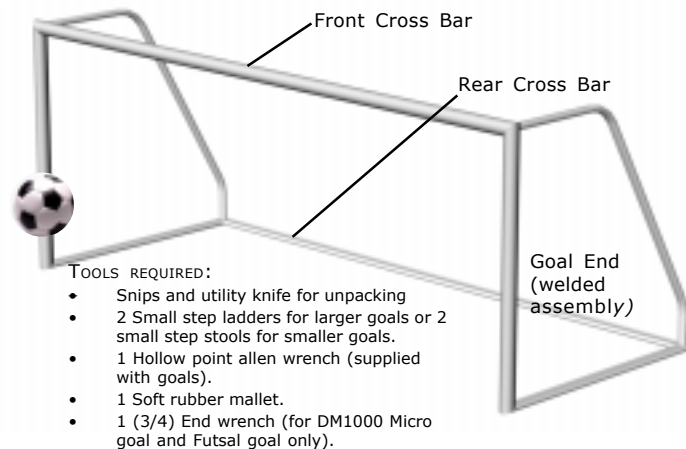
## Assembly Instructions



### D/Max Moveable Goals

Check your order for damaged or missing parts & report any irregularities to the freight company and SCOREMASTER at once at 1-888-726-7627. Make sure you have your order number.

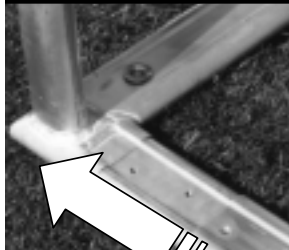
This product sheet must be reviewed by all coaches, managers, players, grounds keepers and personnel involved in the use of these products.



**Assembly time is 15-30 minutes the first time. Three persons are recommended to assemble the 1600-2400 goals and two persons are needed to assemble the 1000-1200 Micro and Futsal goals. Follow the instructions and do not force parts together.**



**A. Goal end stub**



**B. Goal end stub and rear cross bar intersection.**



**C. Slide front cross bar on straight and square.**

**1.** Lay the goal sections for each goal end on a large **flat** surface that will not scratch the finish.

**2. IMPORTANT!** The inside of the front and rear crossbar ends are pre-lubricated at the factory with white grease. If there is no lubricant present, lubricate with grease.

**3.** Remove the stainless steel bolts from the stubs on the goal ends. See A.

**4.** Stand the first goal end upright & slip the rear cross bar on the stub end. See B.

**WARNING - Do not force goal parts together. Make sure they are aligned properly and use gentle taps with a rubber hammer if required.**



**D. Slide front cross bar and rear cross bar on at the same time and straight or the goal will not fit together.**



**E. Bolt it up!**

**5.** Support one end of the front cross bar with a ladder or have someone hold it and install the other end over the upper goal end stub. See C.

**6.** Now the other side. Erect the other goal end and simultaneously slide both front and rear cross bars over the goal end stubs as far as they will go. Tap them together if necessary. See D.

**IMPORTANT - Make sure that both cross bars are slid into the goal end stubs the same time and that they are square to each other.**

**7.** Install the assembly screws into the upper and lower cross bars and final tighten all of the screws with the wrench provided. See E. Check all bolts again when your are done.

## Micro and Futsal Goals



1. Read the instructions for the D/Max Movable goals. It is best to lay the goal ends face down to begin assembly. This is different than the larger goals.

2. Slide the front cross bar onto the stubs on the goal uprights and the rear cross bar tie bolt into the net rack as shown in the photo to the right.



3. Install the cross bar hardware as shown on the right.

Micro, Futsal and Permanent Goals share the same assembly stubs as the D/max Moveable goals. Please refer to the appropriate instructions on the other leaf for installation of the cross bars. Call Scoremaster if you are having problems - we are always here with support.

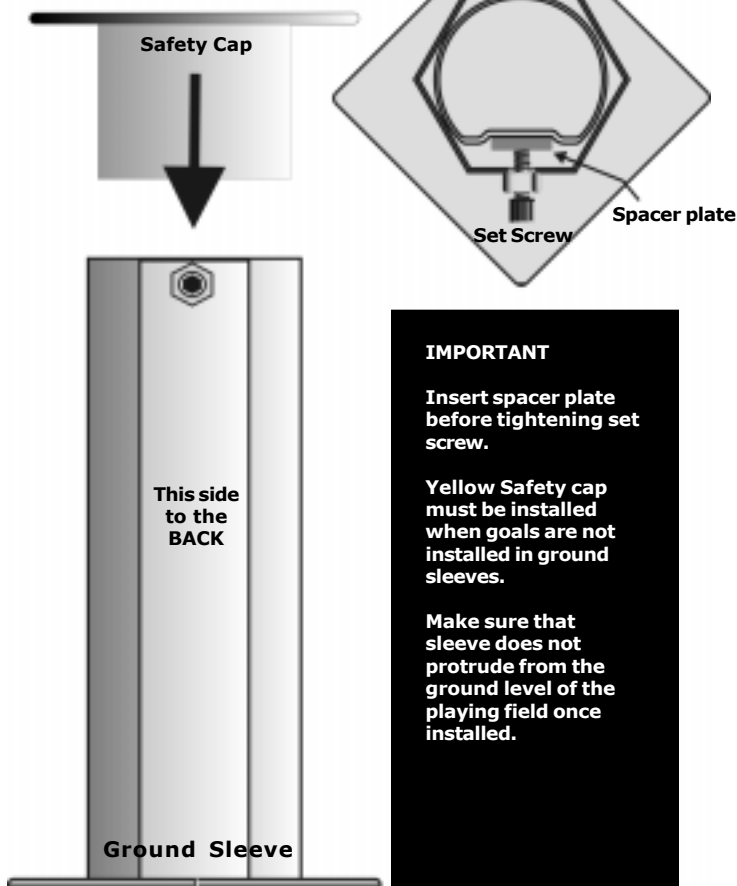
All Scoremaster products carry a 5 year Warranty. Your product is shipped with a Warranty Claim Form that describes our Warranty Policy and tells you how to make a claim in the unlikely event that you would need to. All repairs and warranty claims are handled promptly "Scoremaster never misses a game."

## Customer Service

If you have any  
problems or questions please  
call us at  
1-888-726-7627  
or log onto our website at  
[www.scoremaster.com](http://www.scoremaster.com)

*Service Beyond Service*

## P/Series Permanent Goals



### IMPORTANT

Insert spacer plate before tightening set screw.

Yellow Safety cap must be installed when goals are not installed in ground sleeves.

Make sure that sleeve does not protrude from the ground level of the playing field once installed.

1. The method of excavating for the ground sleeves will vary according to ground conditions and available equipment. Consult your grounds maintenance department or local contractor to establish the most efficient way of burying the sleeves.

2. Place the ground sleeves in the excavation and check to make sure that they are plumb and square. The center to center distance of the holes should match the goal. Do not install the ground sleeves proud of the field surface. This will create a safety hazard. Leave the sleeves loose enough in the excavation to be adjusted.

3. Lay the goal parts out flat and assemble the ends as per the **D/Max Moveable** instructions. Do not tighten the assembly screws until the goals have been installed in the ground sleeves.

4. Install the goal into the ground sleeves.

5. Tighten the assembly screws on the goal cross bar.

6. Install the spacer plate between the set screw and the back of the goal and tighten the set screw.

7. Fill in the excavation around the ground sleeve with soil or concrete.

# SCOREMASTER

## Safety and Design

Recent safety regulations do not address fundamental design issues.

Many manufacturers and purchasers have completely underestimated the importance of goal design and its safety implications.

**Accidents from poorly designed goals have resulted in deaths and injuries.**

## What are the problems?

### **Inexperience**

Most accidents involve goals produced by local welding shops, small volume manufacturers or in house maintenance staff who lack engineering and production expertise.

### **Inappropriate Materials**

Commonly used steel and aluminum square tubing and pipe are not engineered for goal construction.

Even "round cornered" square tubing has edges which can cause injury. Pipe and square tube are too heavy.

**Some goals are so heavy they need wheels to be moved!**

### **Poor Design**

Serious accidents are caused by goals tipping over due to insufficient mass behind the goal face.

Steel or heavy aluminium pipe goals are heavy to the front.

Goals are without deep net racks or have light or improperly positioned rear cross bars to provide sufficient counter balance.

### **Hazardous Net Fasteners**

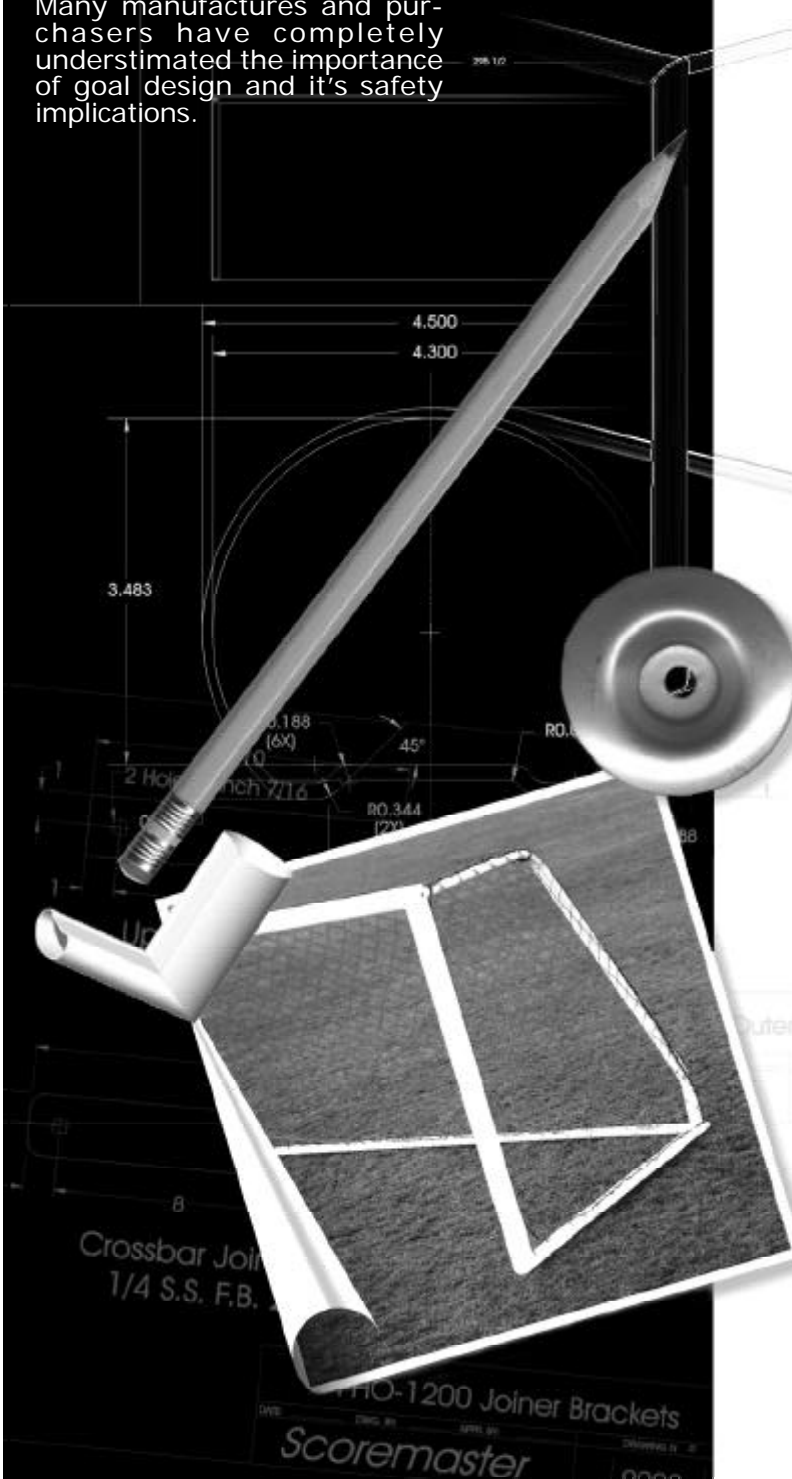
Protruding metal net hooks have given way to protruding hard plastic hooks. Both of these are unsafe and have been known to rip off fingers and cause serious wounds.

### **Cost Cutting**

Currently, there are no stability tests for goals. Deep net racks and rear crossbars should be standard equipment with all goal sets sold, but they add to the cost of the goal, so they are usually not included.

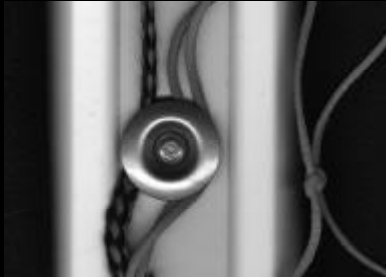
**At Scoremaster we know that safety features should never be skimped in the interest of cost.**

(Continued over)



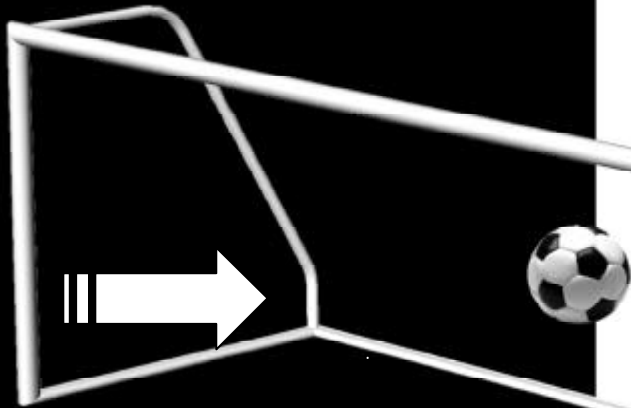
# SCOREMASTER

## Safety and Design



### Flush Fasteners

Permanently mounted net fasteners and assembly bolts are smooth and recessed into the back face of the goal.



### Stability

Standard heavy rear cross bar and deep net racks keep the center of gravity low and well to the rear so **GOALS WON'T TIP OVER**

**D/Max**  
Safety Tubing

### Lightweight Smooth Finish

High strength, low weight materials with smooth shapes.

Bottom profile and tough mitered joint slides easily on turf.

(Continued)

### We did it right

A goal must be stable - even in situations of misuse, easy to move and have smooth surfaces with no sharp projections.

### With technology and experience

Scoremaster's parent company, ProCom Ltd. is a builder of specialized vehicles and rescue equipment used in government and military application, with a corporate culture steeped in meeting safety and performance needs.

Enlisting fourteen years of goal building experience, the latest 3D modeling software, state of the art engineering and manufacturing resources, we went to work on the problem.

### And got results

Scoremaster has the highest stability, lowest weight and smoothest materials, net fasteners and finish of any goal on the market.

Scoremaster goals are expensive to produce, yet they are priced like other goals which may seem similarly equipped.

Lasting many times longer than any other goal on the market, they are more economical in the long run.

**Should cost come before safety?  
At Scoremaster we don't think so.**

**Responsible design and purchasing are critical when providing public safety.**

1-888-726-7627

[www.scoremaster.com](http://www.scoremaster.com)

Copyright © 1998 [Scoremaster]. All rights reserved.