

SCOREMASTER

Safety and Design

Recent safety regulations do not address fundamental design issues.

Many manufacturers and purchasers have completely underestimated the importance of goal design and its safety implications.

Accidents from poorly designed goals have resulted in deaths and injuries.

What are the problems?

Inexperience

Most accidents involve goals produced by local welding shops, small volume manufacturers or in house maintenance staff who lack engineering and production expertise.

Inappropriate Materials

Commonly used steel and aluminum square tubing and pipe are not engineered for goal construction.

Even "round cornered" square tubing has edges which can cause injury. Pipe and square tube are too heavy.

Some goals are so heavy they need wheels to be moved!

Poor Design

Serious accidents are caused by goals tipping over due to insufficient mass behind the goal face.

Steel or heavy aluminium pipe goals are heavy to the front.

Goals are without deep net racks or have light or improperly positioned rear cross bars to provide sufficient counter balance.

Hazardous Net Fasteners

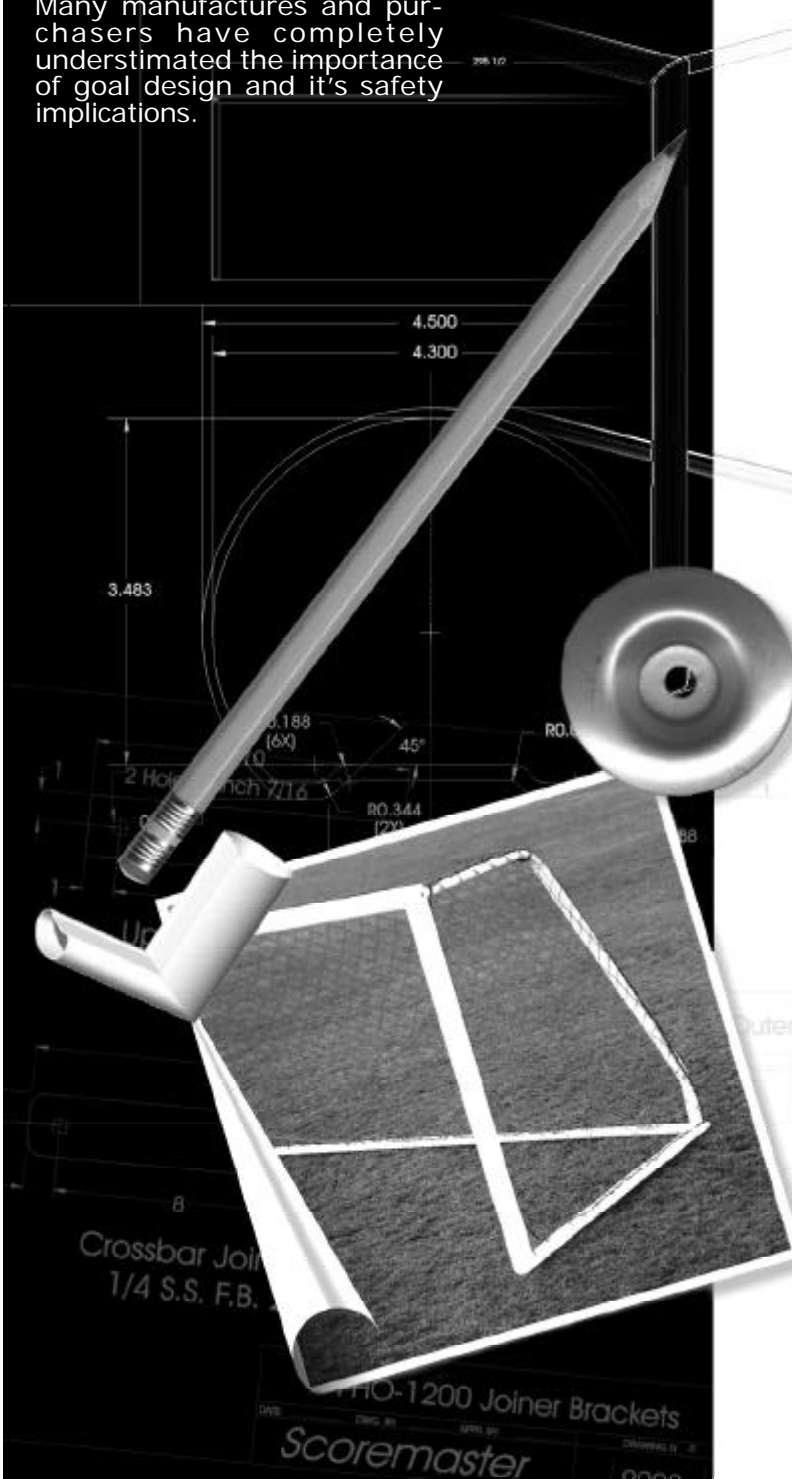
Protruding metal net hooks have given way to protruding hard plastic hooks. Both of these are unsafe and have been known to rip off fingers and cause serious wounds.

Cost Cutting

Currently, there are no stability tests for goals. Deep net racks and rear crossbars should be standard equipment with all goal sets sold, but they add to the cost of the goal, so they are usually not included.

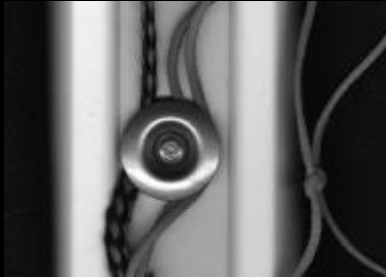
At Scoremaster we know that safety features should never be skimped in the interest of cost.

(Continued over)



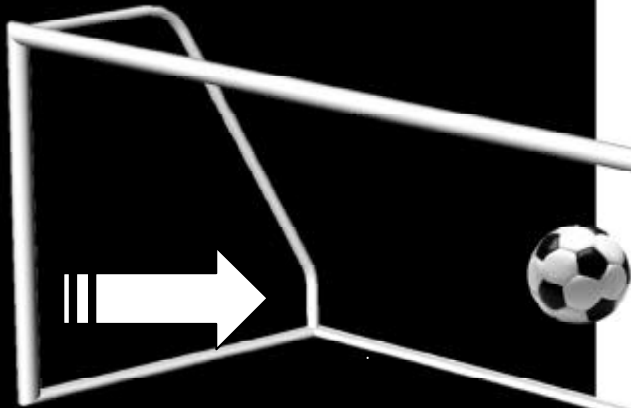
SCOREMASTER

Safety and Design



Flush Fasteners

Permanently mounted net fasteners and assembly bolts are smooth and recessed into the back face of the goal.



Stability

Standard heavy rear cross bar and deep net racks keep the center of gravity low and well to the rear so **GOALS WON'T TIP OVER**

D/Max
Safety Tubing

Lightweight Smooth Finish

High strength, low weight materials with smooth shapes.

Bottom profile and tough mitered joint slides easily on turf.

(Continued)

We did it right

A goal must be stable - even in situations of misuse, easy to move and have smooth surfaces with no sharp projections.

With technology and experience

Scoremaster's parent company, ProCom Ltd. is a builder of specialized vehicles and rescue equipment used in government and military application, with a corporate culture steeped in meeting safety and performance needs.

Enlisting fourteen years of goal building experience, the latest 3D modeling software, state of the art engineering and manufacturing resources, we went to work on the problem.

And got results

Scoremaster has the highest stability, lowest weight and smoothest materials, net fasteners and finish of any goal on the market.

Scoremaster goals are expensive to produce, yet they are priced like other goals which may seem similarly equipped.

Lasting many times longer than any other goal on the market, they are more economical in the long run.

**Should cost come before safety?
At Scoremaster we don't think so.**

Responsible design and purchasing are critical when providing public safety.

1-888-726-7627

www.scoremaster.com

Copyright © 1998 [Scoremaster]. All rights reserved.